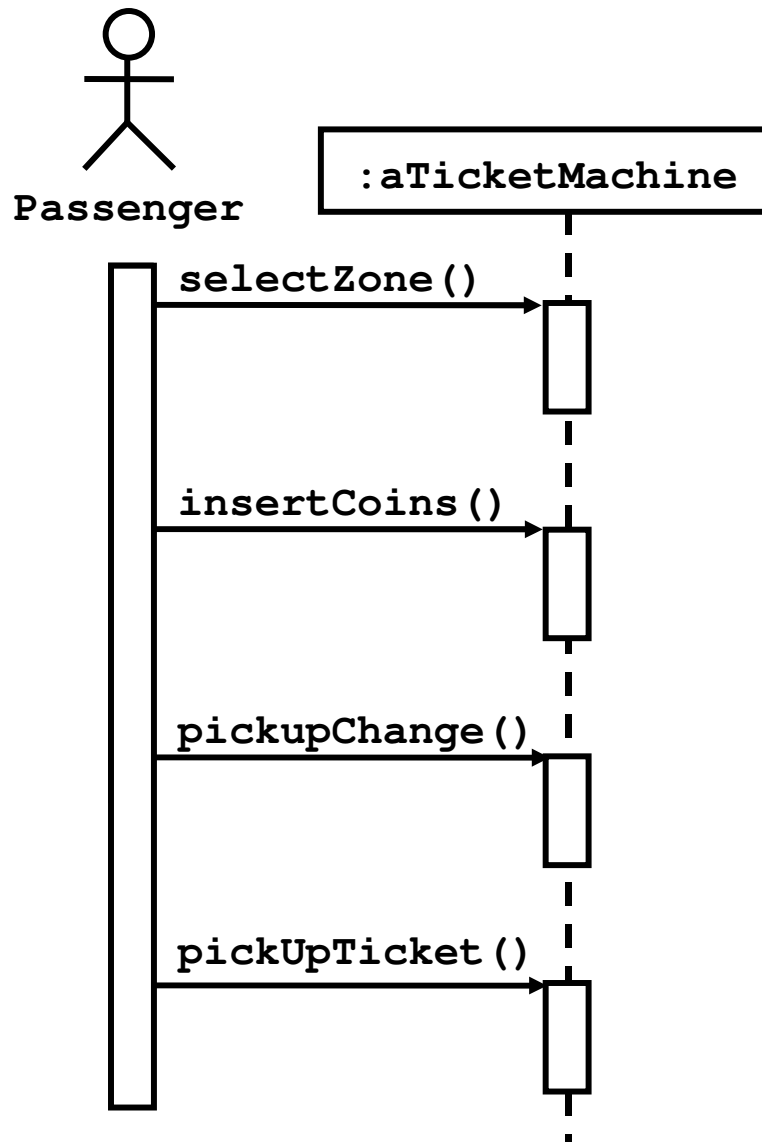
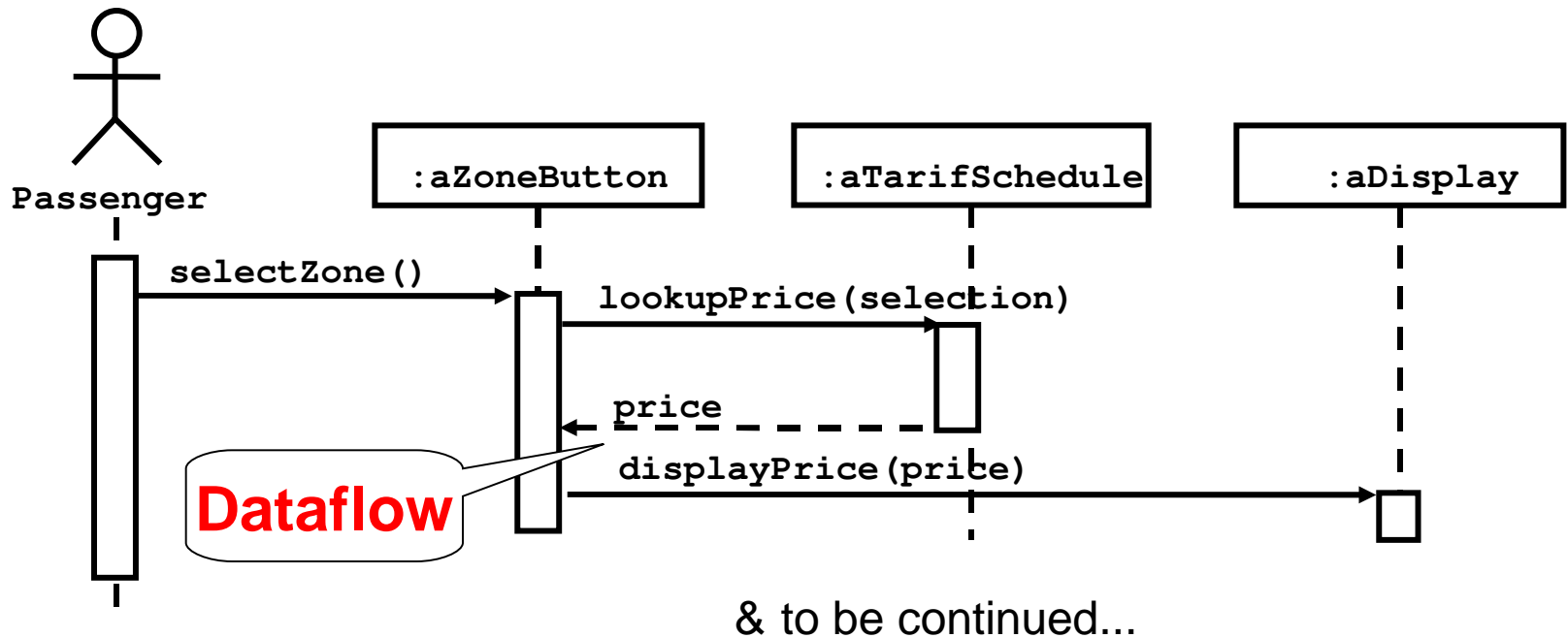


UML Sequence Diagrams



- ◆ Used during system design
 - ◆ To clarify object interactions
 - ◆ To refine class interfaces
- ◆ *Objects* are represented by columns
- ◆ *Messages* are represented by arrows
- ◆ *Activations* are represented by narrow rectangles
- ◆ *Lifelines* are represented by dashed lines

UML Sequence Diagrams: Nested Messages



- ◆ The source of an arrow indicates the activation which sent the message
- ◆ An activation is as long as all nested activations

Sequence Diagram Observations

- ◆ UML sequence diagram represent behavior in terms of interactions.
- ◆ Complement the class diagrams which represent structure.
- ◆ Useful to find participating objects.
- ◆ Time consuming to build but worth the investment.
- ◆ Many tools exist to speed creation of diagrams.